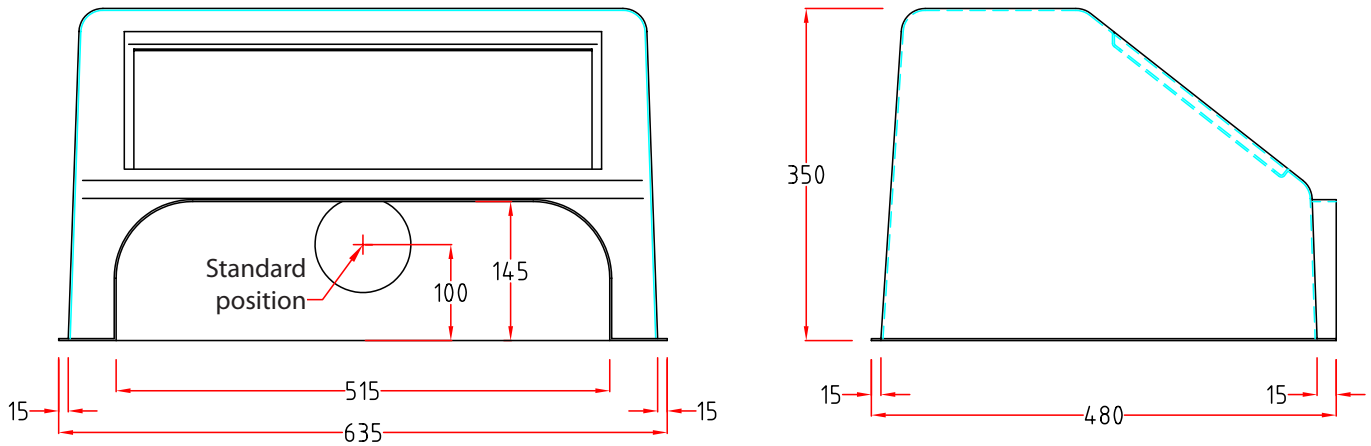


System 25 – Type 2

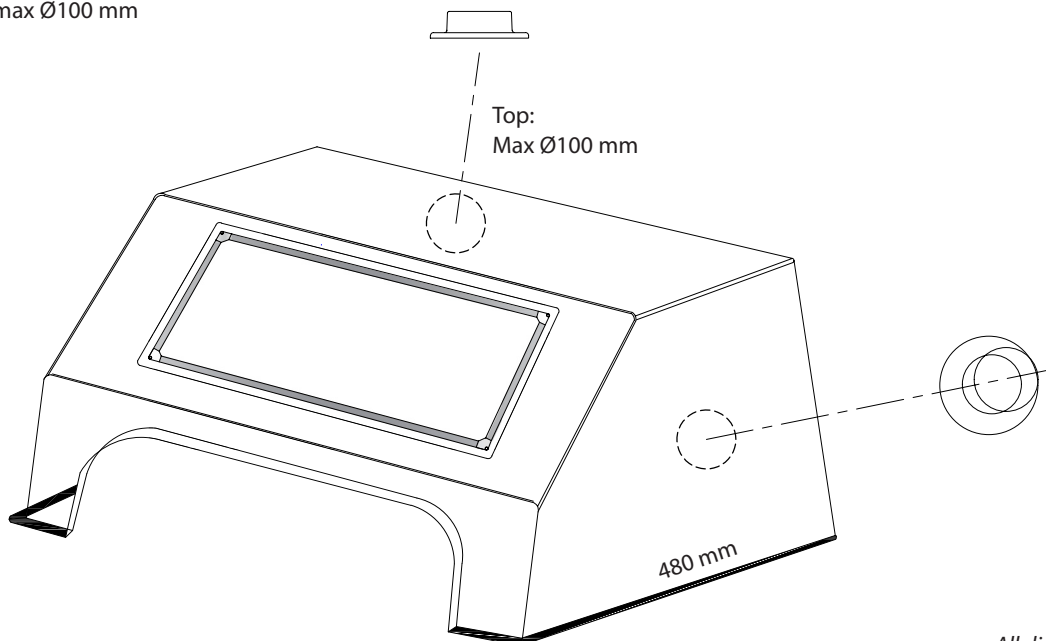
STANDARD POSITION OF FLANGE



CUSTOMISED POSITION OF FLANGE

When ordering please state flange size and position

NB! Top flange: max Ø100 mm



All dimensions in mm